



WINEMASTER

le temps d'être différent



Installation lift pump WINEARM15

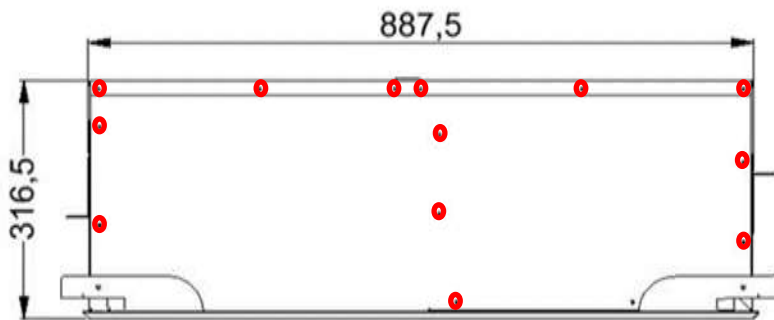
Installation guide lift pump WINEARM15

07-2019

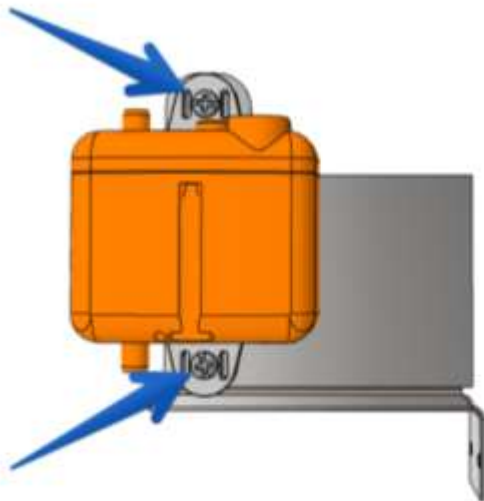
I. Installation

1.1. Step 1 : Acces from the bottom opening or dismount one side of the appliance

Disassemble the side indicated herewith by removing the screws



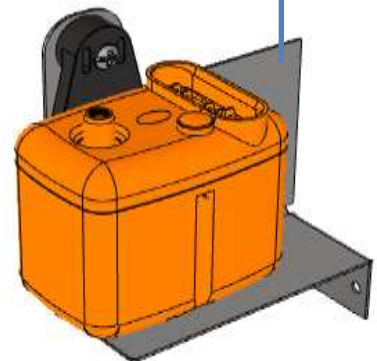
1.2. Step 2 : Fix the lifting pump on the sheet



For fixing the pump you need :

- the lifting pump
- The rubber bracket
- A sheet 50.1369
- Two screws W1015

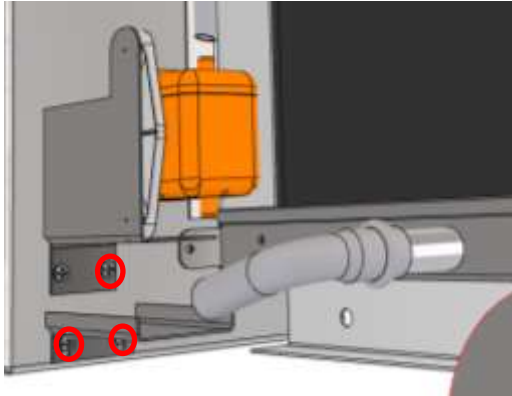
W1369



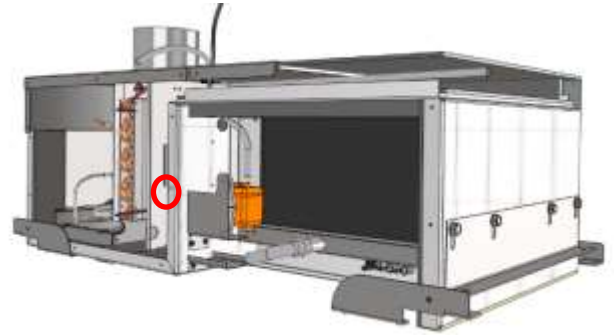
Assemble the 3 components using screws W1015.

1.3. Step 3 : Installation of the brackets in the appliance

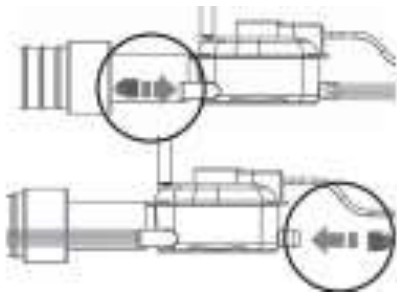
To fix the brackets you need :



- The parts assembly
- 4x W10151



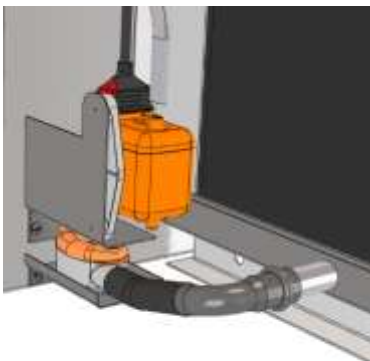
1.4. Step 4 : Sensor installation



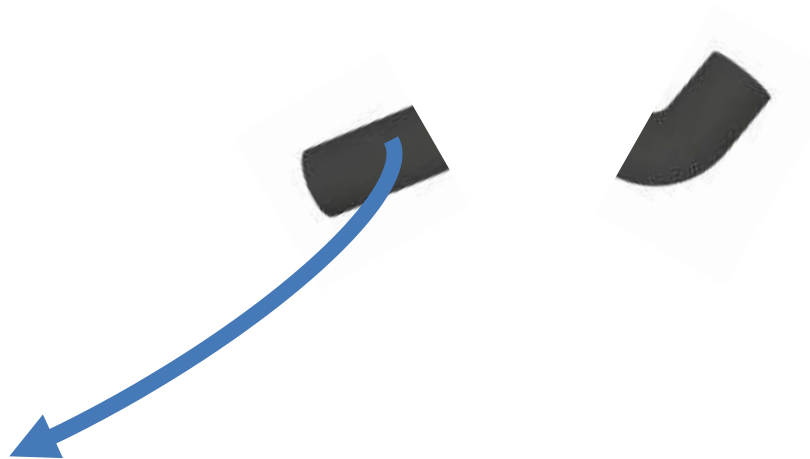
- Reverse the cap position to open the front water outlet of the sensor

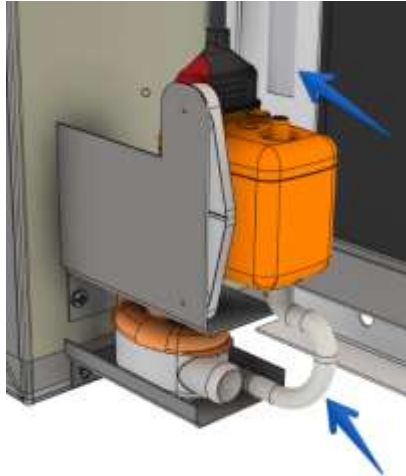


- Cut the 90° connection part with a cutter

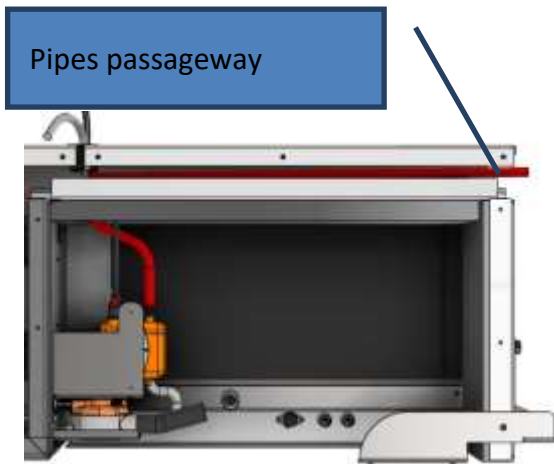


- Use this tube piece to connect the sensor





- • Cut a piece of PVC tube D 6MM
- • Connect the sensor to the lift pump with this tube
- • Use the rest of the tube to drive the liquid from the pump to the outside of the machine. (you can extend this pipe with the following constraints)



REAL FLOW TABLE					
SUCTION HEIGHT	DELIVERY HEAD	TOTAL PIPE LENGTH (ØINT 6MM, 1/4")-(C)			
		5 m	10 m	20 m	30 m
0 m	0 m	20	18	18	17
	2 m	16	15	14	13,5
	4 m	11,5	11	10,5	10
	6 m		8,5	7,5	6,5
	8 m		6	5	4
1 m	10 m		4	3,5	2,5
	0 m	14	13	12	11
	2 m	11	10	9	8
	4 m	7,5	7	6	5
	6 m		4,5	4	
2 m	0 m	11	10	9	8
	2 m	9	8	7	6
	4 m		5,5	5	4,5
3 m	0 m	10,5	9	8	7
	2 m	8	7	6	5
	4 m		5	4	

